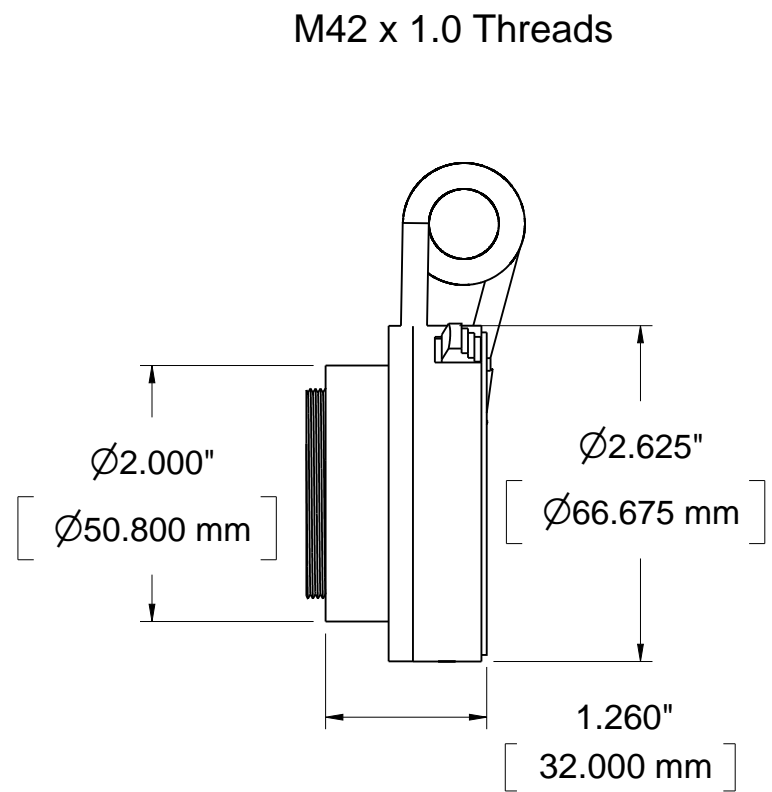
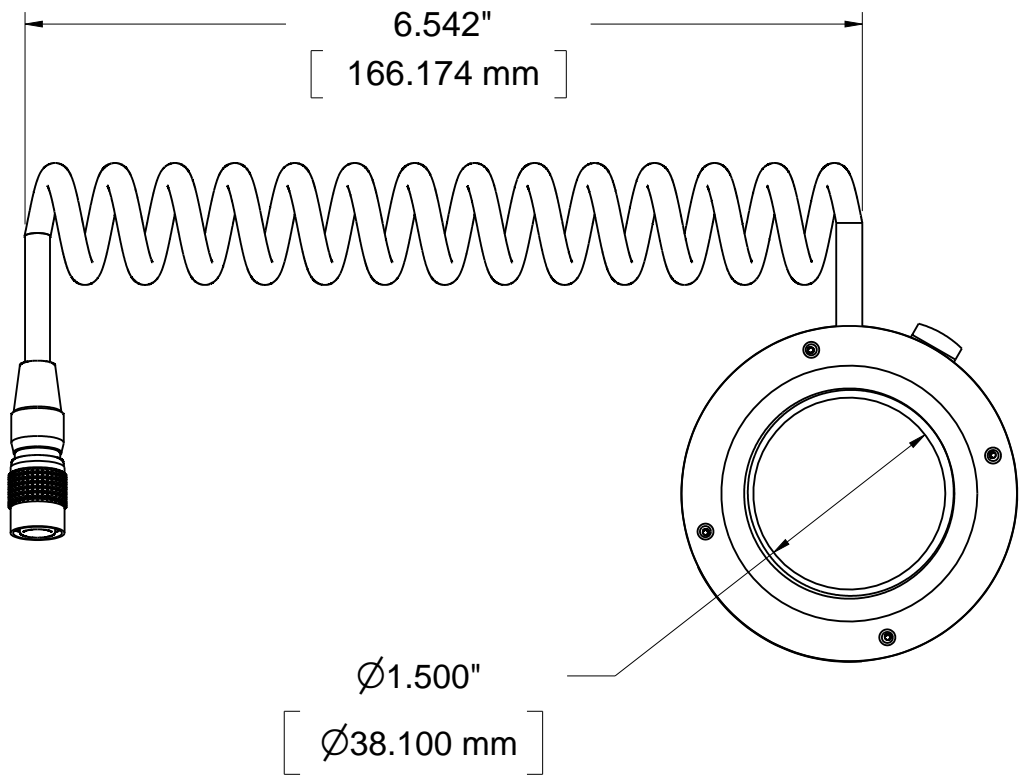


REVISIONS				
ZONE	REV	DESCRIPTION	DATE	APPROVED



UNLESS OTHERWISE SPECIFIED DIMENSIONS ARE IN INCHES TOLERANCES: ANGLES ± +/- 1.0° DECIMALS X.X 0.1" X.XX 0.01" X.XXX 0.005"	DRAWN	DATE	Lens Control Adapter for M42x1.0		
	S. Palluconi	12.19.17			
	CHECKED		SIZE	FSCM NO.	DWG NO.
	QA		A		LC-2A-M42
MFG		SCALE	1:1.5	SHEET	REV
APPROVED					