

## 3-inch Vortex-Cooled LED Light Source

(Product ID: LM3X-XXX, DC3X)

The LM3X is a high-power, air-cooled, rack-mountable, 3-inch LED light source that provides uniform, stable illumination for pressure and Temperature Sensitive paint measurements. The unit offers a significant increase in power over the previous generation products (3-4 times that of a single LM2XX head). Its small form factor and large optical power density make it a class leading solution for large scale testing and installations. The LM3X has been designed to operate safely in a pulsed or continuous DC operation. It requires no external chiller, only standard shop air for operation.

<b>Output Power</b>	40 W Total (20 W x 2)	(3-4 times that of single LM2XX head)
<b>Control</b>	Full Control and Feedback of Common Functions	Robust TTL Interface
<b>Convenience</b>	Rack Mountable	(2) LM3x Units Mount Side-by-Side in 3U 19" Rack Space
<b>Versatility</b>	Multi-Mode Operation	Pulsed or Continuous DC



The DC3X control box can operate and cool 2 LM3X LED modules via umbilical which deliver power and cooled air. The control box is rack mountable with the included rack ears.



**DC3X Control Box**



**LM3X-XXX LED Head**

### SPECIFICATIONS

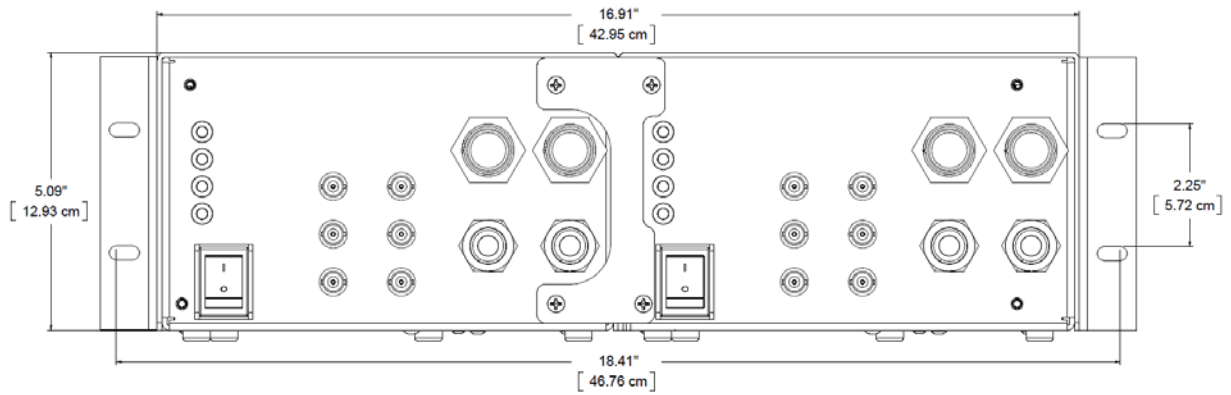
<b>Input Power</b>	100-240 V, 50-60Hz, 8.2A
<b>Optical Output Power</b>	20 W per Emitter (40W Total)
<b>Wavelengths</b>	400-, 460-nm (standard)
<b>Operating Temperature</b>	2-50 °C
<b>Required Supply Air</b>	60 scfm (1.7 $\frac{m^3}{min}$ ) @ 90 psi (Dry)
<b>Air Inlet</b>	1/4" NPTF
<b>Noise Level</b>	82 dB
<b>Length x Width x Height (Drive Assembly)</b>	8.4" x 12.5" x 5.5" (213 mm x 317 mm x 139 mm)
<b>Weight (Drive Assembly)</b>	12.5 lbs.
<b>Rack Height</b>	3U
<b>Length (LED Emitter)</b>	6.5"
<b>Diameter (LED Emitter)</b>	3.5"
<b>Weight (LED Emitter)</b>	2.5 lbs.
<b>Umbilical Length</b>	10 ft. (standard)

Innovative Scientific Solutions, Inc.  
7610 McEwen Road, Dayton, OH 45459  
Phone (937) 630-3012 Fax (937) 630-3015

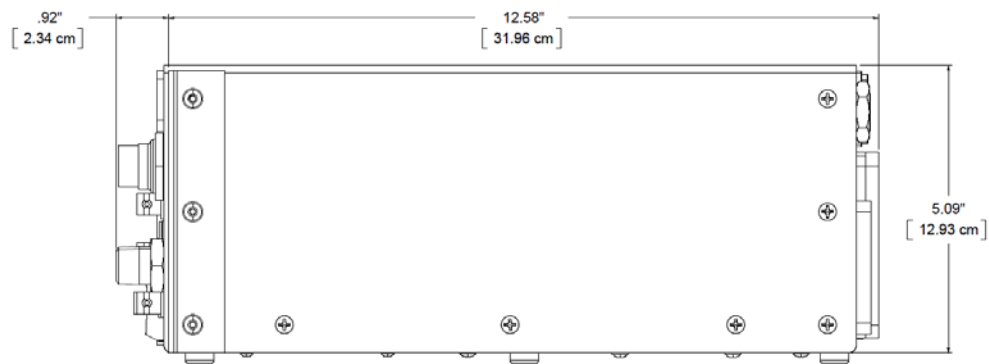
email: [issj-sales@innssi.com](mailto:issj-sales@innssi.com)  
web: [www.psp-tsp.com](http://www.psp-tsp.com)

Any and all underlying information and technology contained in this document may be subject to U.S. export controls, including the Export Administration Act (50 U.S.C. Appx. §§ 2401 et seq.) and the Export Administration Regulations ("EAR", 50 C.F.R. Parts 730-774), and may be subject to export or import regulations in other countries. You are responsible for complying with all trade regulations and laws both foreign and domestic. Except as authorized by law or distributor agreement with ISSI, you agree and warrant not to export or re-export the information to any country, or to any person, entity, or end-user subject to U.S. export controls, including without limitation persons or entities listed on the U.S. Department of Commerce Bureau of Export Administration's Denied Parties List and the U.S. Department of Treasury's Specially Designated Nationals. You further represent and warrant that no U.S. federal agency has suspended, revoked, or denied your export privileges.  
CANON® is a registered trademark of Canon, Inc.

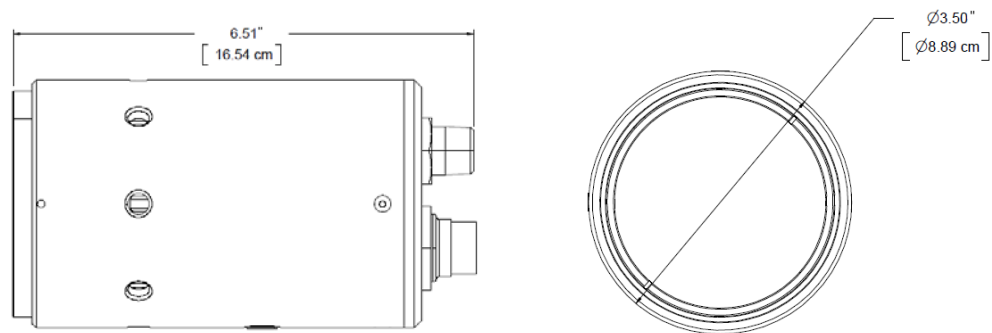
## Drawings



**Dual DC3X Control Box with Rack Mounting**



**DC3X Control Box Profile**



**LM3X Head**